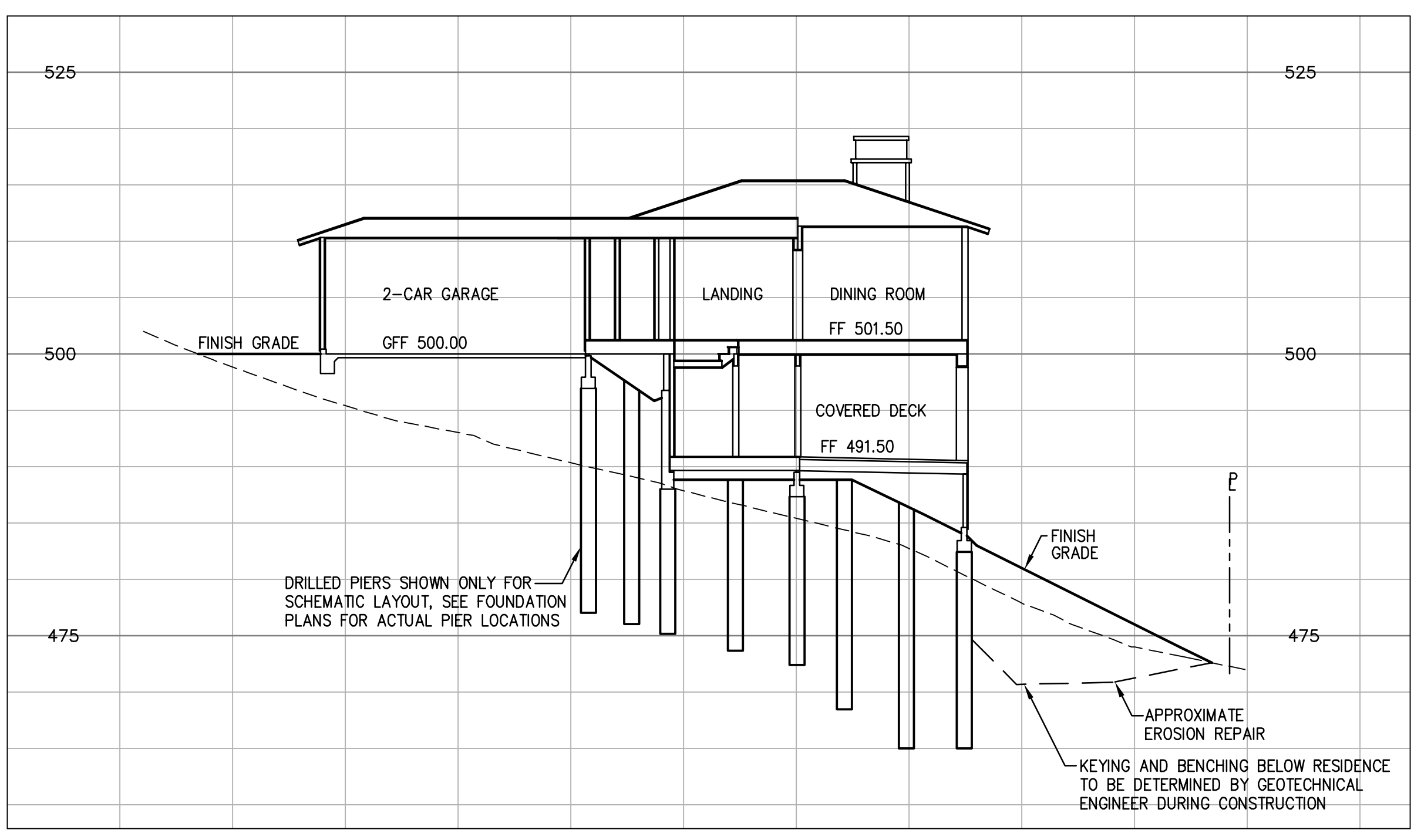


CRYSTAL SPRINGS COUNTY SANITATION DISTRICT NOTES:

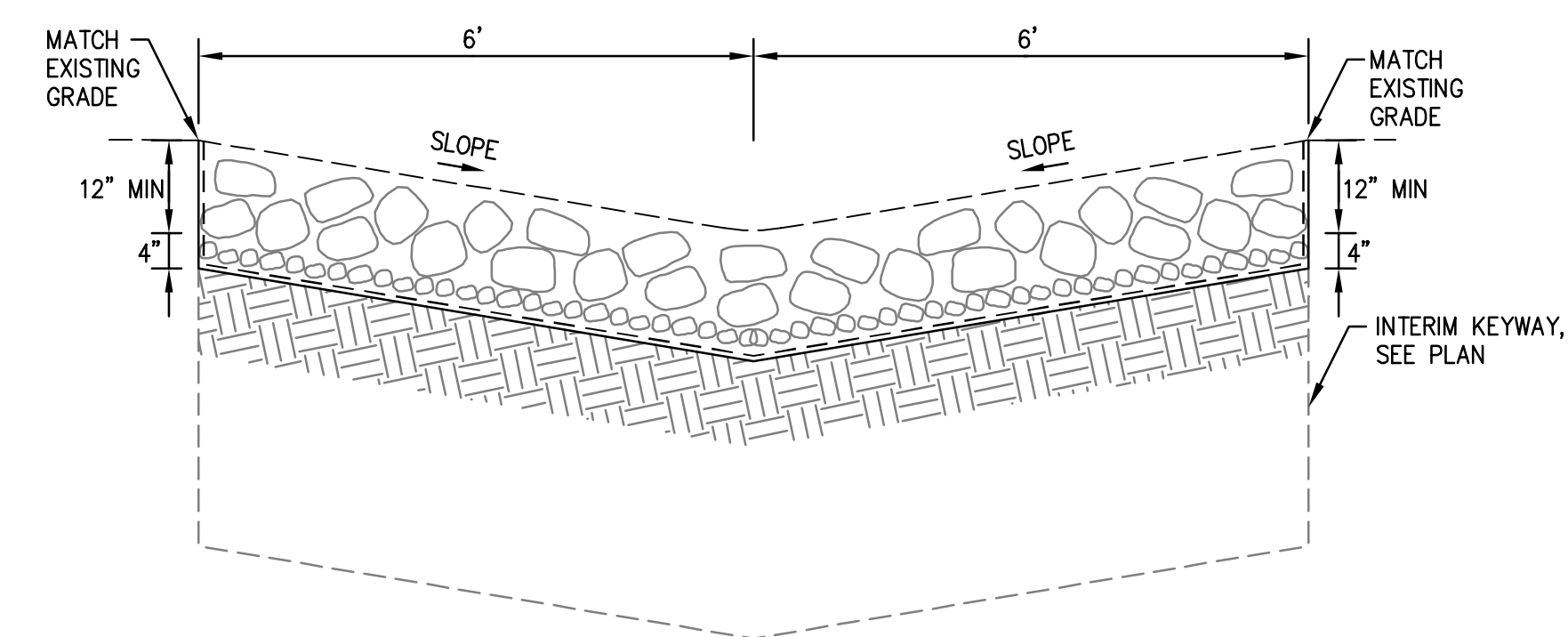
1. THE PROPERTY/EASEMENT LINE CLEANOUT MUST BE PLACED IN A LOCATION THAT PROVIDES EASY ACCESS FOR MAINTENANCE EQUIPMENT AND IS OUTSIDE OF ANY ENCLOSURES. A MINIMUM OF 6' IS REQUIRED BETWEEN THE PROPERTY LINE CLEANOUT AND STRUCTURE.
2. THE PLANS INDICATE THAT THE LOWEST FINISHED FLOOR ELEVATION OF THE PROPOSED MAIN RESIDENCE WILL BE LESS THAN ONE (1) FOOT HIGHER THAN THE RIM ELEVATION OF THE NEAREST UPSTREAM SANITARY SEWER MANHOLE. A BACKFLOW PREVENTION OR OVERFLOW DEVICE MUST BE INSTALLED IMMEDIATELY UPSTREAM OF THE REQUIRED CLEANOUT NEAR THE PROPERTY LINE TO PREVENT BACKFLOW OF SEWAGE INTO THE BUILDING/PROPERTY.
3. SANITARY SEWER CONNECTION AND TESTING MUST BE MADE IN THE PRESENCE OF A SEWER DISTRICT REPRESENTATIVE. THIS NOTE SHALL BE ADDED TO THE PLANS.
4. THE SEWER DISTRICT OFFICE SHALL BE CONTACTED (650-363-4100) TO SCHEDULE INSPECTIONS. INSPECTIONS MUST BE SCHEDULED A MINIMUM OF ONE WORKING DAY PRIOR TO THE INSPECTION. NO INSPECTIONS SHALL OCCUR ON FRIDAYS, WEEKENDS OR HOLIDAYS UNLESS SPECIAL ARRANGEMENTS ARE MADE WITH THE SEWER DISTRICT.
5. A VIDEO INSPECTION OF THE SEWER MAIN (MANHOLE TO MANHOLE) WHERE THE NEW LATERAL CONNECTS TO THE SEWER DISTRICT MAIN SHALL BE PERFORMED BY THE APPLICANT OR CONTRACTOR AND SUBMITTED TO THE SEWER DISTRICT FOR REVIEW AFTER LATERAL CONNECTION HAS BEEN MADE. THE VIDEO INSPECTION SHALL BE PERFORMED IN ACCORDANCE WITH THE REQUIREMENTS DESCRIBED IN THE SPECIAL PROVISIONS FOR CLOSED CIRCUIT TELEVISION INSPECTION OF SANITARY SEWER MAINS (A COPY CAN BE OBTAINED FROM OUR WEBSITE AT [HTTP://PUBLICWORKS.SMCGO.VA.GOV/SEWER-SERVICES](http://PUBLICWORKS.SMCGO.VA.GOV/SEWER-SERVICES)). THE SEWER DISTRICT WILL REVIEW THE VIDEO INSPECTION TO DETERMINE WHETHER THE WORK PERFORMED IS ACCEPTABLE. ALL UNACCEPTABLE WORK SHALL BE CORRECTED TO THE SEWER DISTRICT'S SATISFACTION AT THE APPLICANT'S EXPENSE.
6. CARE MUST BE TAKEN TO PROTECT THE EXISTING SEWER DISTRICT FACILITIES WHEN A NEW SEWER LATERAL AND CONNECTION IS INSTALLED. ANY DAMAGES TO THE SEWER DISTRICT FACILITIES DURING THE INSTALLATION OF THE NEW LATERAL SHALL BE REPAIRED BY THE APPLICANT PER THE SEWER DISTRICT STANDARD DETAILS AND AT THE APPLICANT'S EXPENSE. THE SEWER DISTRICT MUST BE NOTIFIED OF ANY DAMAGES TO THE SANITARY SEWER FACILITIES AND ANY REPAIRS MUST BE INSPECTED BY A SEWER DISTRICT REPRESENTATIVE.
7. LATERAL CONNECTION TO THE EXISTING MANHOLE SHALL BE MADE BY CORE DRILLING A HOLE IN THE MANHOLE WALL APPROPRIATELY SIZED FOR THE SEWER LATERAL PIPE. THE ANNULAR SPACE BETWEEN THE WALL AND PIPE SHALL BE PLUGGED WITH MORTAR CEMENT. AFTER THE ANNULAR SPACE HAS BEEN PLUGGED, THE INTERIOR OF THE ENTIRE MANHOLE SHALL BE COATED WITH AN APPROVED WATERPROOFING MATERIAL APPLIED PER THE MANUFACTURER'S RECOMMENDATIONS.
8. THE CONTRACTOR MUST REMOVE AND DISPOSE OF ALL CONSTRUCTION DEBRIS IN THE MANHOLE AFTER THE LATERAL CONNECTION HAS BEEN MADE. CARE MUST BE TAKEN TO PREVENT CONSTRUCTION DEBRIS FROM ENTERING THE SEWER SYSTEM DURING THE INSTALLATION OF THE NEW SEWER LATERAL CONNECTION. IF THE SEWER DISTRICT DISCOVERED THAT CONSTRUCTION DEBRIS HAS ENTERED THE SEWER SYSTEM, THE APPLICANT WILL BE RESPONSIBLE TO CLEAN AND TELETYPE THE DOWNSTREAM PORTIONS OF THE SEWER MAINS AS DETERMINED BY THE SEWER DISTRICT TO THE SEWER DISTRICT'S SATISFACTION. SANITARY SEWER SERVICE SHALL BE MAINTAINED AT ALL TIMES. THE CONTRACTOR SHALL USE WHATEVER MEANS NECESSARY (E.G. PUMPS, ETC.) TO MAINTAIN THIS SERVICE DURING CONSTRUCTION.

NOTES:

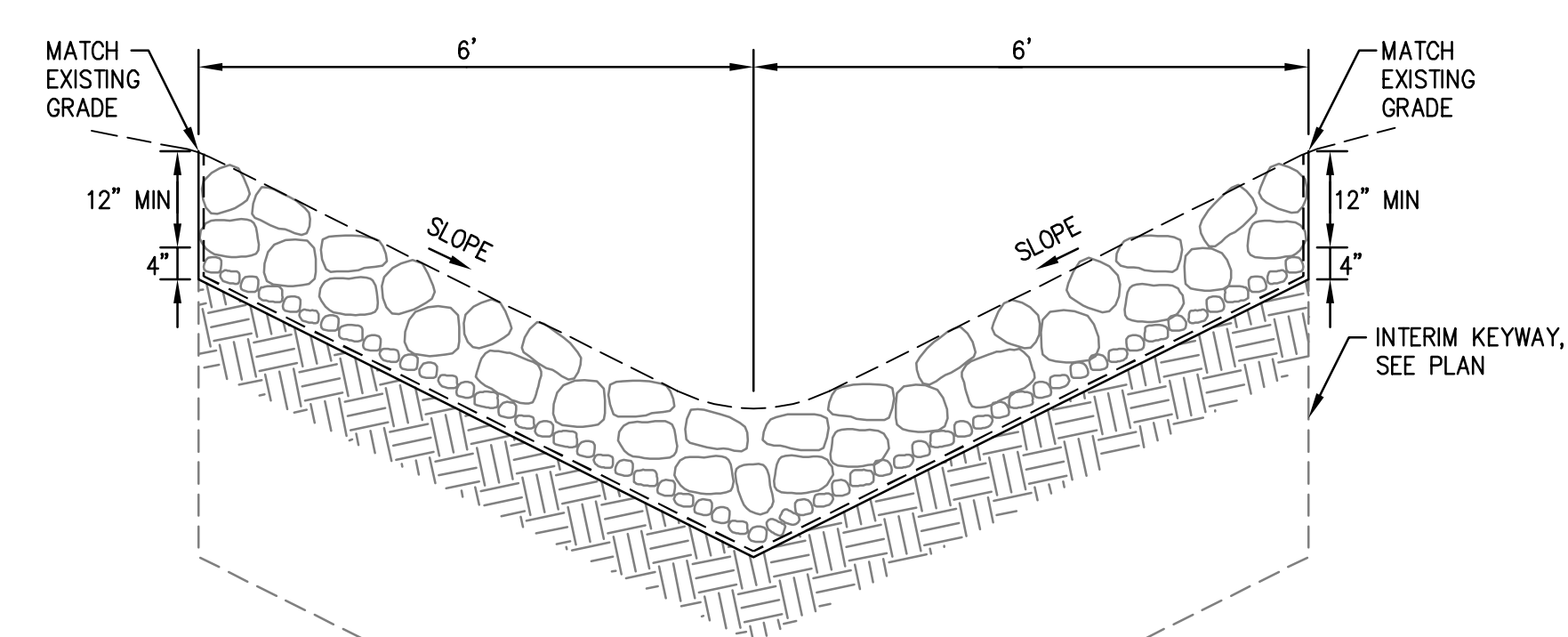
1. PER THE GEOTECHNICAL REPORT, UNDOCUMENTED FILL WAS MAPPED AT LOT 9 AND IF THIS FILL IS TO BE LEFT IN PLACE DURING HOUSE AND DRIVEWAY GRADING, IT SHOULD BE REMOVED AND REPLACED AS PROPERLY COMPACTED ENGINEERED FILL.
2. PER THE GEOTECHNICAL REPORT, ALL EXISTING FILLS SHOULD BE COMPLETELY REMOVED FROM WITHIN PROPOSED HOUSE FOOTPRINT AND DRIVEWAY AREAS AND TO A LATERAL DISTANCE OF AT LEAST 5 FEET BEYOND THE EDGE OF THE IMPROVEMENTS OR AS RECOMMENDED BY THE GEOTECHNICAL ENGINEER. ANY EXCESS MATERIAL SHALL BE DISPOSED OF OFF-SITE IN A LAWFUL MANNER.
3. PER THE GEOTECHNICAL REPORT, GEOTECHNICAL MITIGATION GRADING WILL BE PERFORMED ON LOT 9, SEE SHEETS C9.91 AND C9.92 FOR GRADING DETAILS OF THE MITIGATION.
4. PER THE GEOTECHNICAL REPORT, ALL BUILDING AND RETAINING WALLS SHOULD BE SUPPORTED ON DRILLED PIERS. THE FOUNDATION SHOWN ON THIS PLAN ARE SCHEMATIC. REFER TO THE PROJECT STRUCTURAL PLANS FOR DETAILS ON THE DRILLED PIERS.



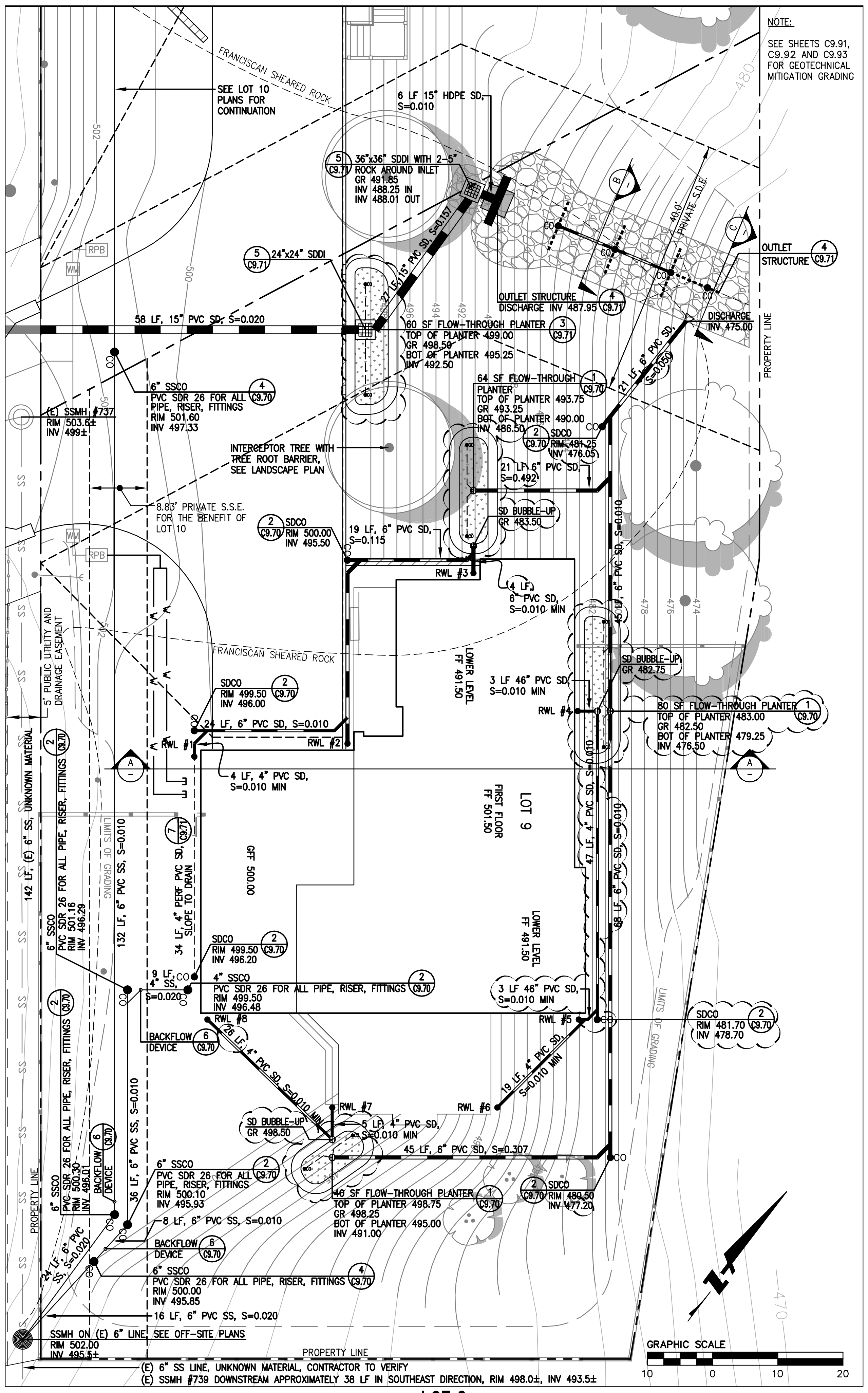
**LOT 9
CROSS SECTION A-A
SCALE: 1"=10'**



**OUTLET STRUCTURE
CROSS SECTION B-B
NTS**



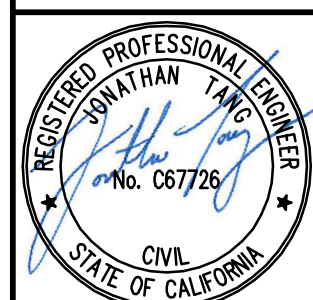
**OUTLET STRUCTURE
CROSS SECTION C-C
NTS**



**LOT 9
UTILITY PLAN
SCALE: 1"=10'**

DRAWING NAME: K:\E995\950168\dwg\CD\Lot_9\C9_40-HECOSP.dwg
PLOT DATE: 05-17-22
PLOTTED BY: noi

255 SHORELINE DRIVE, SUITE 200
REDWOOD CITY, CA 94065
PHONE: (650) 482-6300
FAX: (650) 482-6399

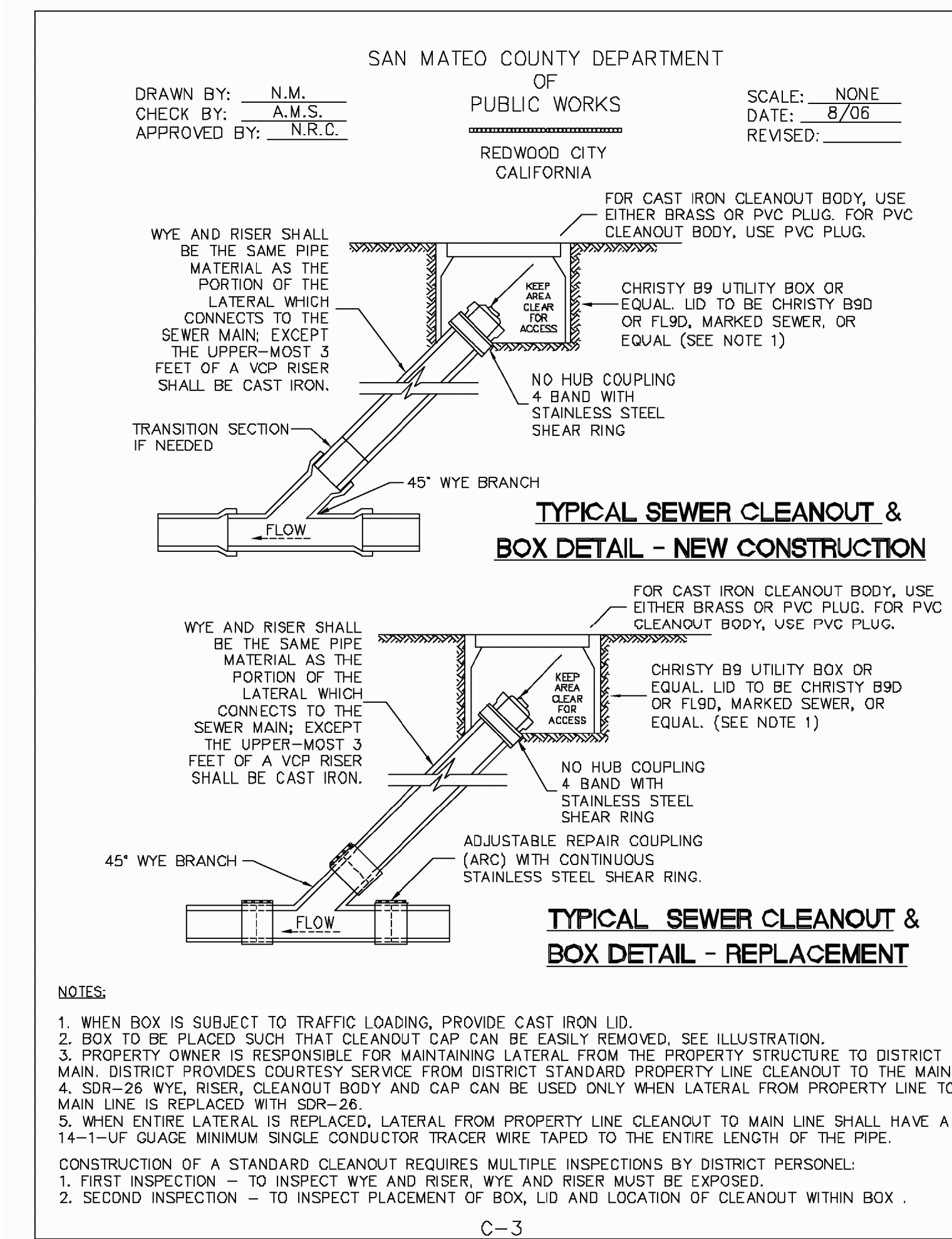
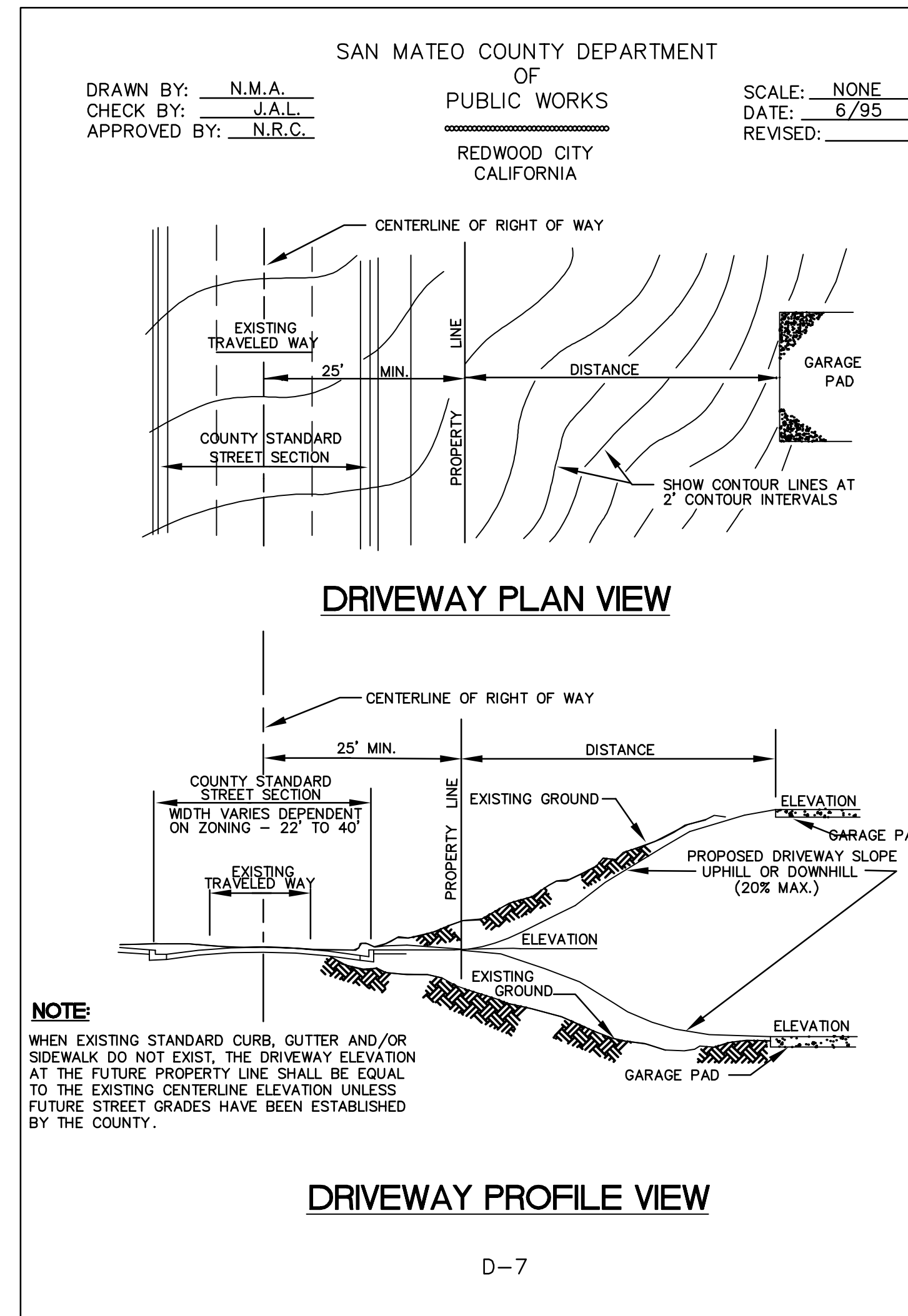
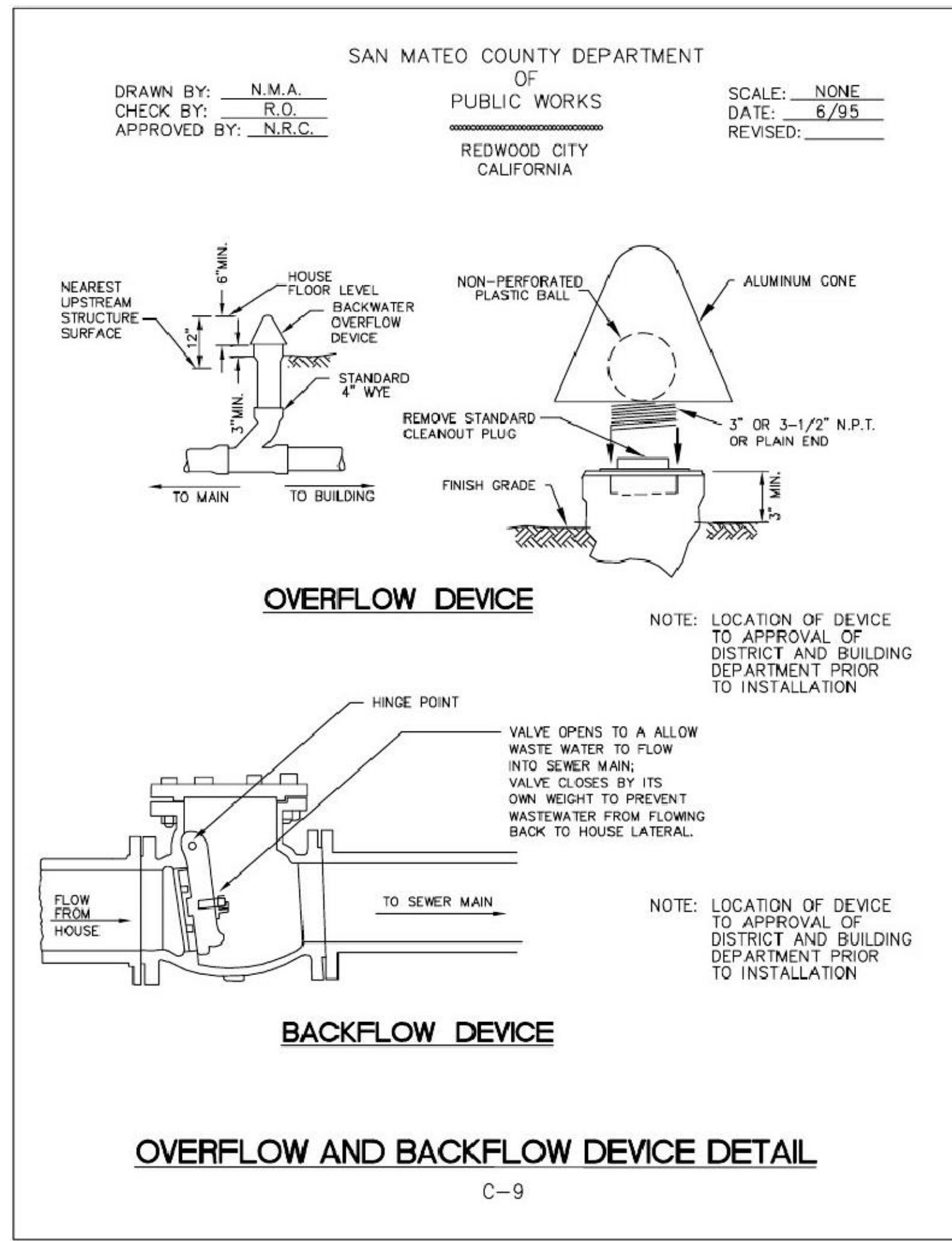


CALIFORNIA
**HIGHLAND ESTATES
LOT 9 IMPROVEMENT PLANS
UTILITY PLAN AND CROSS SECTION**
SAN MATEO COUNTY
CITY OF SAN MATEO

No.	Date	Revisions
1	AS-BUILT	5/17/2022

Date	10/8/2018
Scale	AS SHOWN
Drawn	RH
Design	NH
Approved	RH/JT
Job No.	95068-20

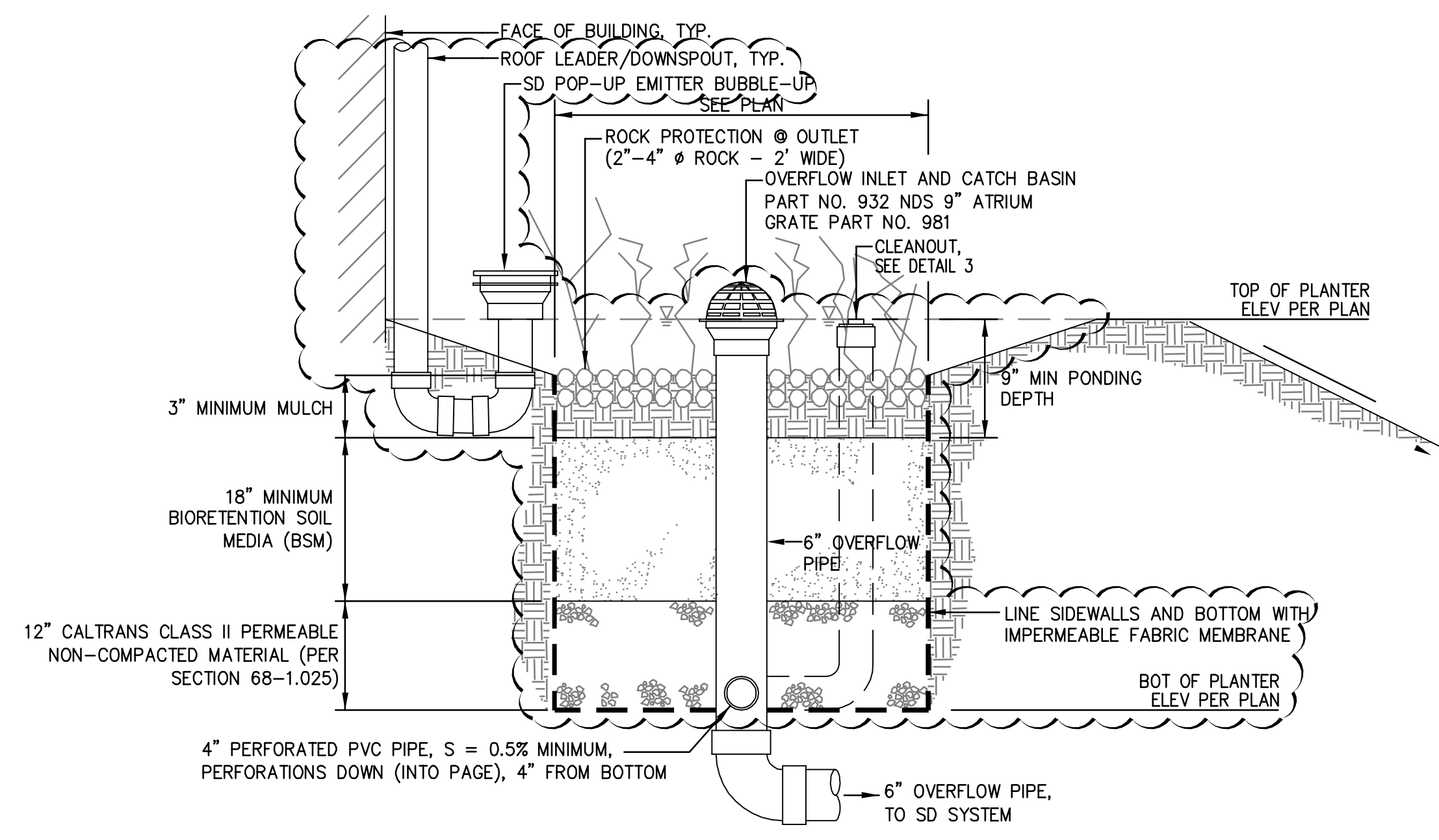
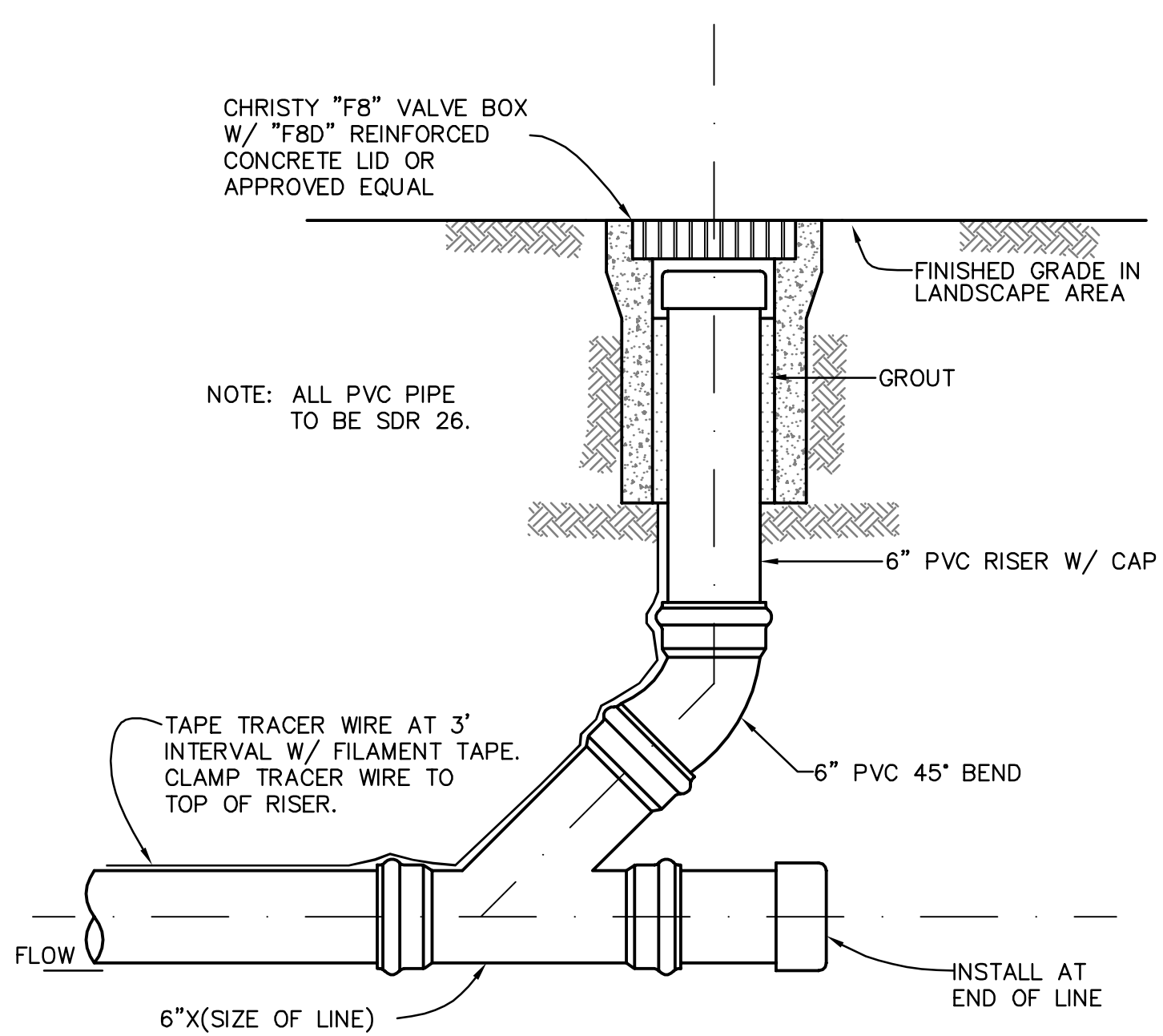
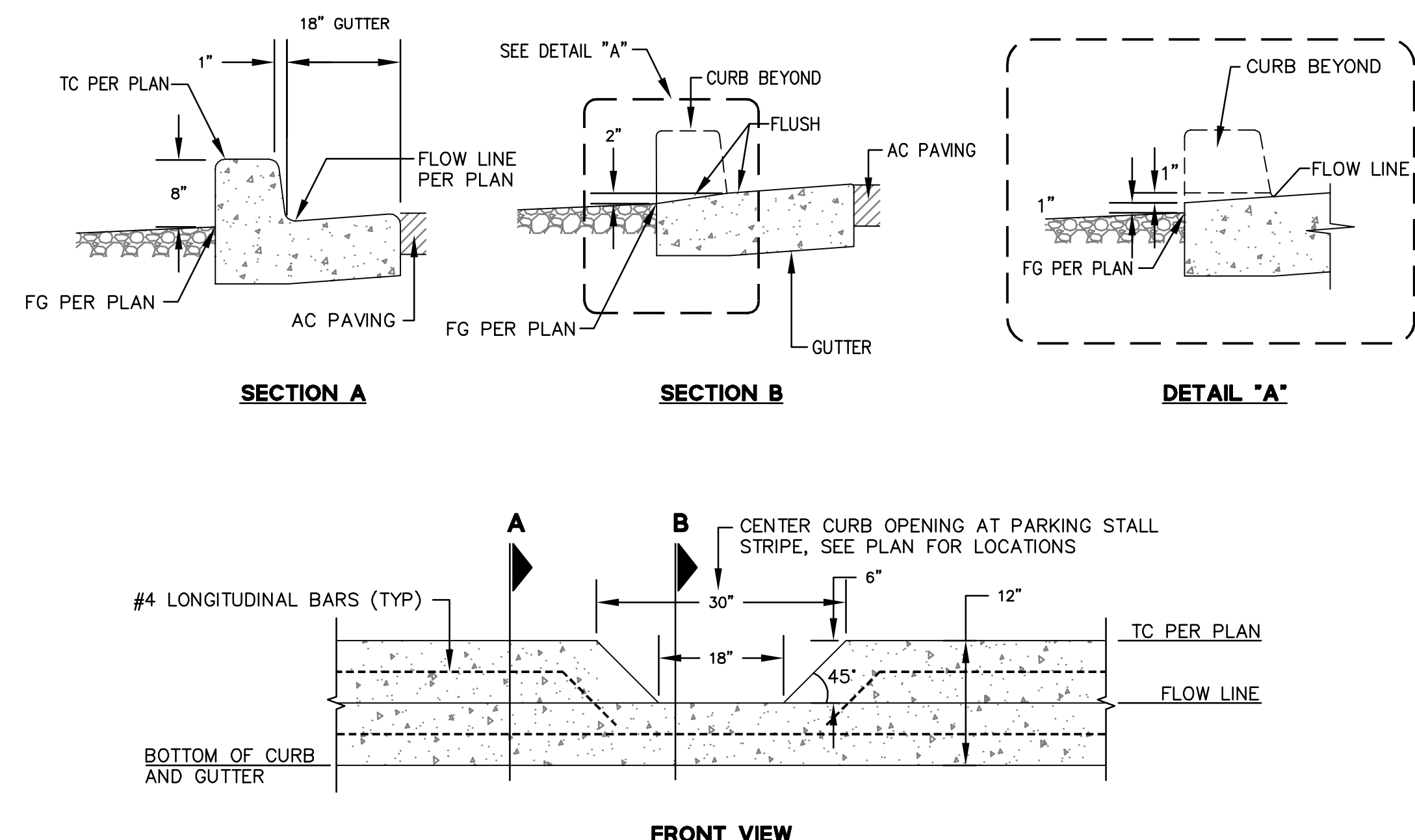
Sheet Number:
C9.40
OF



6 SAN MATEO COUNTY OVERFLOW AND BACKFLOW DEVICE DETAIL
NTS

5 SAN MATEO COUNTY DRIVEWAY PLAN AND PROFILE VIEWS
NTS

4 SAN MATEO COUNTY TYPICAL SEWER CLEANOUT & BOX DETAIL
NTS



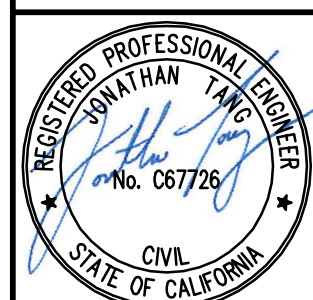
3 SAN MATEO COUNTY CURB CUT
NTS

2 SAN MATEO COUNTY CLEANOUT
NTS

1 SAN MATEO COUNTY FLOW-THROUGH PLANTER (FTP)
NTS

DRAWING NAME: K:\E\950168\dwg\CD\Lot_9\C9_70-HECDDT.dwg
PLOT DATE: 05-17-22
PLOTTED BY: hoi1

255 SHORELINE DRIVE, SUITE 200
REDWOOD CITY, CA 94065
PHONE: (650) 482-6300
FAX: (650) 482-6399



CALIFORNIA

HIGHLAND ESTATES
LOT 9 IMPROVEMENT PLANS
CONSTRUCTION DETAILS
SAN MATEO COUNTY

CITY OF SAN MATEO

No.	Revisions
AS-BUILT	5/17/2022

Date	10/8/2018
Scale	AS SHOWN
Drawn	JT
Checked	LF
Approved	RH/JT
Job No.	950168-20

Sheet Number: **C9.70**

SAN MATEO COUNTY DEPARTMENT
 OF
 PUBLIC WORKS
 REDWOOD CITY
 CALIFORNIA

DRAWN BY: M.L.
 CHECK BY: D.M.W.
 APPROVED BY: N.R.C.

SCALE: NONE
 DATE: 6/95
 REVISED: 7/97

**STANDARD TRENCH BACKFILL
 AND BEDDING DETAIL**

W-10

**SAN MATEO COUNTY
 STANDARD TRENCH BACKFILL & BEDDING DETAIL**

NTS

NOTES:

- SAND... MATERIAL FREE FROM ORGANIC MATTER AND CLAY WITH A SIEVE GRADATION BY WEIGHT AS FOLLOWS:

SIEVE SIZE	% PASSING SIEVE
No. 4	100
No. 200	0-5

- STRUCTURE BACKFILL MATERIAL... MATERIAL WITH SAND EQUIVALENT NOT LESS THAN 20 AND SIEVE GRADATION BY WEIGHT AS FOLLOWS:

SIEVE SIZE	% PASSING SIEVE
No. 4	100
No. 30	35-100
No. 100	20-100

- BACKFILL MATERIAL... MATERIAL FROM EXCAVATION, FREE FROM STONES OR LUMPS EXCEEDING 3 INCHES GREATEST DIMENSION, ORGANIC MATTER, OR OTHER UNSATISFACTORY MATERIAL.

OUTLET STRUCTURE

NTS

NOTES:

- ALL HEADWALLS SHALL BE PLASTIC AND CONSTRUCTED IN CONFORMANCE WITH CALTRANS STANDARD PLAN D94A AND SECTION 70-5.02 OF THE CALTRANS STANDARD SPECIFICATIONS, 2015.
- PIPE MATERIAL TO BE HDPE, CORRUGATED EXTERIOR WITH SMOOTH INTERIOR.
- CONCRETE THRUST BLOCK TO BE PCC.
- AREA OF ROCK RIP-RAP OUTFALL/EROSION PROTECTION IN ACCORDANCE WITH VELOCITY DISSIPATION DEVICES EC-10 OF THE CALIFORNIA STORMWATER QUALITY ASSOCIATION (CASQA) BMP HANDBOOK, JANUARY 2011.
- OUTFALL PROTECTION MATERIAL:
 - CALTRANS ROCK SLOPE PROTECTION FABRIC WITH NO. 2 BACKING CONFORMING TO SECTION 72 OF THE CALTRANS STANDARD SPECIFICATIONS.
 - CALTRANS NO. 2 TO BE ~8" SIZE ANGULAR ROCK (25 LBS. TYP.) BROWN TO DARK BROWN/BLACK IN COLOR.
- KEYWAYS SHALL BE EVENLY SPACED ALONG THE RIP-RAP LENGTH.
- SEE SHEETS C9.91 AND C9.93 FOR CEMENT TREATED QUARRY FINES.

SAN MATEO COUNTY DEPARTMENT
 OF
 PUBLIC WORKS
 REDWOOD CITY
 CALIFORNIA

DRAWN BY: M.L.
 CHECK BY: R.O.
 APPROVED BY: N.R.C.

SCALE: NONE
 DATE: 6/95
 REVISED:

GENERAL NOTE:
 FRAME AND COVER SHALL MEET OR EXCEED THE REQUIREMENTS OF AASHTO H-20 LOADING.

**SANITARY SEWER
 MANHOLE COVER, FRAME
 AND STRAP DETAIL**

C-2

**SANITARY SEWER
 FLUSHING INLET
 COVER**

C-2

**2
 -
 MANHOLE FRAME AND COVER**

NTS

NOTES:

- ALL MATERIALS USED SHALL CONFORM TO ASTM SPEC. A-159-70F-G3000 OR U.S. GOV'T SPEC. 001-653
- ALL MATERIALS USED SHALL CONFORM TO ASTM SPEC. A-159-64T-G3000 OR U.S. GOV'T SPEC. 001-653
- MANHOLE STRAP TO BE USED IN OFF ROAD AREA WHERE SPECIFIED BY THE ENGINEER
- U-BOLTS, NUT & STRAP SHALL BE HOT DIP GALVANIZED AFTER FABRICATION

**7
 -
 SUBDRAIN**

NTS

**5
 -
 DROP INLET**

NTS

NOTES:

- DROP INLET SHALL BE CENTRAL PRECAST OR APPROVED EQUAL.
- AN ENGINEERED PRECAST DROP INLET UNIT CAN BE USED AS AN ALTERNATE.

**6
 -
 STANDARD TRENCH BACKFILL & BEDDING DETAIL**

NTS

ISOMETRIC

MODEL	A	B	C
CP1212	12	12	4
CP1818	18	18	4
CP2424	24	24	5
CP3636	36	36	6

NOTES:

- DROP INLET SHALL BE CENTRAL PRECAST OR APPROVED EQUAL.
- AN ENGINEERED PRECAST DROP INLET UNIT CAN BE USED AS AN ALTERNATE.

**3
 -
 AT-GRADE FLOW-THROUGH PLANTER**

NTS

NOTES:

- FACE OF BUILDING, TYP.
- ROOF LEADER/DOWNSPOUT, TYP.
- SD POP-UP EMITTER BUBBLE-UP SEE PLAN
- ROCK PROTECTION @ OUTLET (2'-4" @ ROCK - 2" WIDE)
- OVERFLOW INLET AND CATCH BASIN PART NO. 932 NDS 9" ATRIUM GRATE PART NO. 981
- CLEANOUT, SEE DETAIL 3
- 9" MIN PONDING DEPTH
- 6" OVERFLOW PIPE
- LINE SIDEWALLS AND BOTTOM WITH IMPERMEABLE FABRIC MEMBRANE
- 12" CALTRANS CLASS II PERMEABLE NON-COMPACTED MATERIAL (PER SECTION 68-1.025)
- 3" MINIMUM MULCH
- 18" MINIMUM BIORETENTION SOIL MEDIA (BSM)
- 4" PERFORATED PVC PIPE, S = 0.5% MINIMUM, PERFORATIONS DOWN (INTO PAGE), 4" FROM BOTTOM
- 6" OVERFLOW PIPE, TO SD SYSTEM

SAN MATEO COUNTY DEPARTMENT
 OF
 PUBLIC WORKS
 REDWOOD CITY
 CALIFORNIA

DRAWN BY: D.P.
 CHECK BY: R.O.
 APPROVED BY: N.R.C.

SCALE: NONE
 DATE: 6/95
 REVISED: 7/97

**1
 -
 MANHOLE (PIPES 6" TO 21")**

NTS

NOTES:

- ALL STEEL TO BE 3" CLEAR.
- LAY PIPE THRU M.H. WHEN POSSIBLE.
- M.H. SHELF SHALL BE MORTARED TO A SLOPE OF 2"/FT.
- THERE SHALL BE NO STEPS IN THE MANHOLE.
- PREFORMED PLASTIC SEALING GASKET SHALL BE "RAM-NEK" OR APPROVED EQUAL.
- IN THE EVENT PVC OR ABS PIPES ARE APPROVED, STANDARD WATER STOPS SHALL BE INCORPORATED INTO THE MANHOLE BASE.
- OTHER APPLICABLE DETAIL: C-2
- MANHOLE THROAT LOCATION TO BE OPPOSITE THE LARGEST SHELF AREA OR AS DIRECTED BY THE ENGINEER.

DRAWING NAME: K:\E9095\950168\dwg\CD\Lot_9\C9_71-HECDDT.dwg
 PLOT DATE: 05-17-22
 PLOTTED BY: no1

No.	Date	Revisions
AS-BUILT	5/17/2022	
Scale	AS SHOWN	
Design	RH	
Drawn	NH	
Approved	RH/JT	
Job No	95068-20	

Sheet Number: **C9.71**